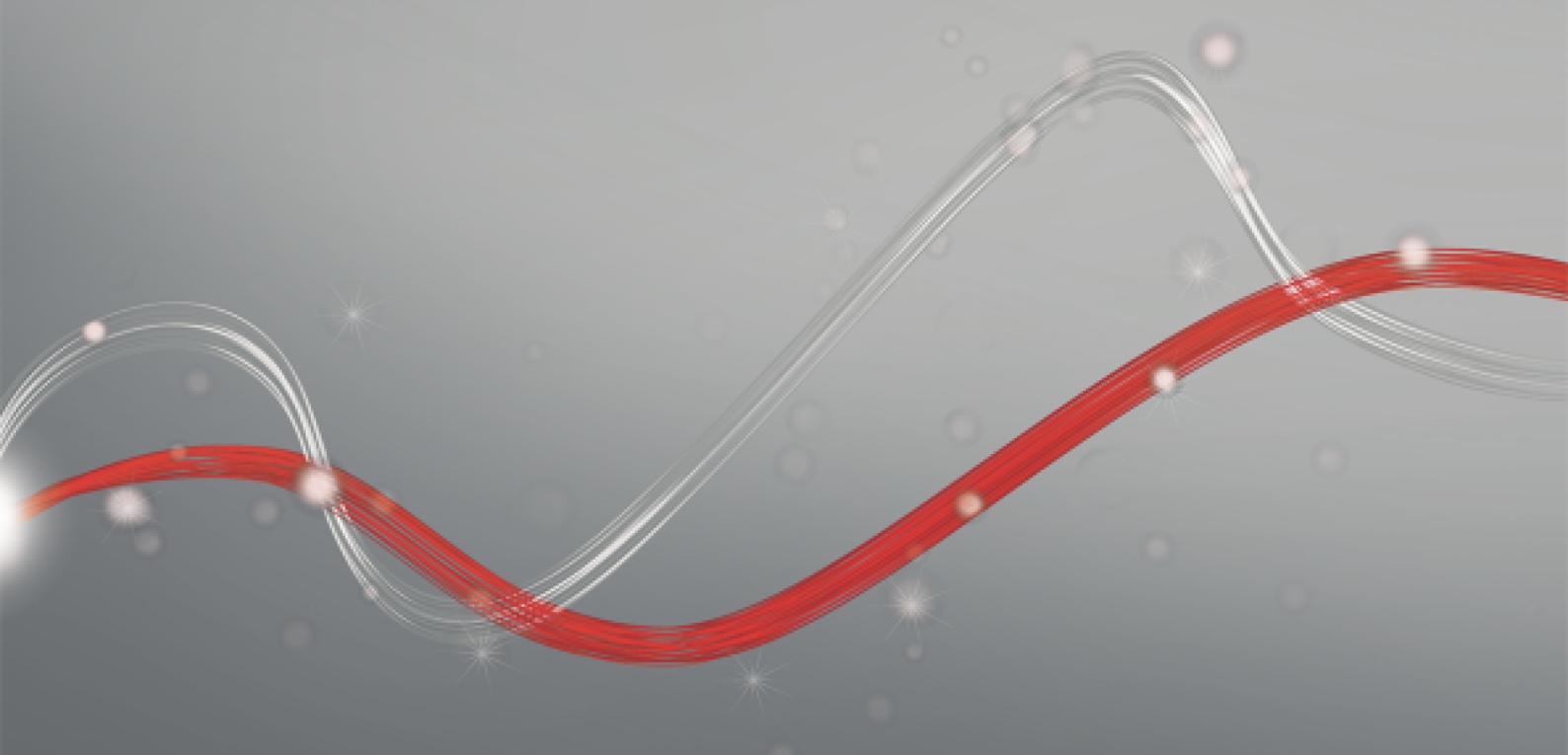




Be ahead

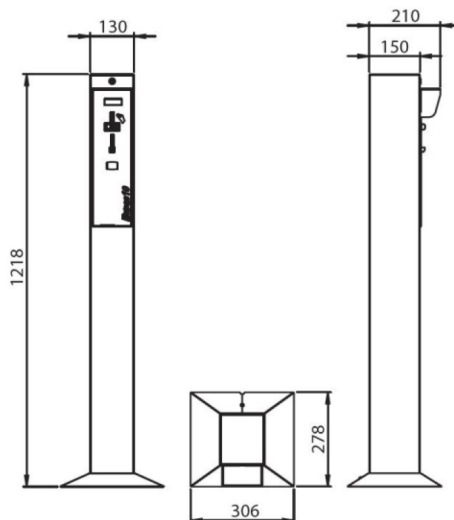


ESPAS 10





Parking management systems



Ulazna/izlazna stanica za sustave parkiranja za zajedničku upotrebu, koja može raditi samostalno. Uređaj omogućuje kontrolu prolaza pri ulazu ili izlazu i može se spojiti na elektromehaničke rampe.

ESPAS 10

Šifra	Naziv	Opis
P2092EU10	ESPAS 10 MONEY BOX 1EUR	The ESPAS 10 MONEY BOX 1 EUR station, combined with an electromechanical barrier, is a device to control an entry or exit point of a car park. The station can be incorporated in a system in which the other passages are managed by ESPAS 20 posts. The device accepts only 1€ coins.
P2092EU20	ESPAS 10 MONEY BOX 2EUR	The ESPAS 10 MONEY BOX 2 EUR station, combined with an electromechanical barrier, is a device to control an entry or exit point of a car park. The station can be incorporated in a system in which the other passages are managed by ESPAS 20 posts. The device accepts only 2€ coins.
P2093EU00	ESPAS 10 MONEY BOX PLUS EUR	The ESPAS 10 MONEY BOX PLUS station, combined with an electromechanical barrier, is a device to control an entry or exit point of a car park. The station can be incorporated in a system in which the other passages are managed by ESPAS 20 posts. The device accepts Euro coins. A fixed amount can be set.
P2093ZL00	ESPAS 10 MONEY BOX PLUS PLN	The ESPAS 10 MONEY BOX PLUS station, combined with an electromechanical barrier, is a device to control an entry or exit point of a car park. The station can be incorporated in a system in which the other passages are managed by ESPAS 20 posts. The device accepts Zloty coins. A fixed amount can be set.
P20910000	ESPAS 10 COIN	The ESPAS 10 COIN station, combined with an electromechanical barrier, is a device to control an entry or exit point of a car park. The station can be incorporated in a system in which the other passages are managed by ESPAS 20 posts. The device accepts only tokens.





Parking management systems

	ESPAS 10 MONEY BOX 1EUR	ESPAS 10 MONEY BOX 2EUR	ESPAS 10 MONEY BOX PLUS EUR	ESPAS 10 MONEY BOX PLUS PLN	ESPAS 10 COIN
Gross weight	18 kg	18 kg	18 kg	18 kg	18 kg
Materijal	Cabinet in 2.0 mm thick dd11-en10111 steel sheet	Cabinet in 2.0 mm thick dd11-en10111 steel sheet	Cabinet in 2.0 mm thick dd11-en10111 steel sheet	Cabinet in 2.0 mm thick dd11-en10111 steel sheet	Cabinet in 2.0 mm thick dd11-en10111 steel sheet
Standard color	RAL7015	RAL7015	RAL7015	RAL7015	RAL7015
Operating temperature	-30 ÷ 50 °C	-30 ÷ 50 °C	-30 ÷ 50 °C	-30 ÷ 50 °C	-30 ÷ 50 °C
Max power consumption	0 W	0 W	20 W	20 W	0 W
Supply voltage	230VAC. 50Hz	230VAC. 50Hz	230VAC. 50Hz	230VAC. 50Hz	230VAC. 50Hz

PREPORUČENA DODATNA OPREMA

	P800128 - ESPAS 10 PROGRAMMER KIT Software for rates programming for Money Box Plus station (serial interface, USB memory stick with sw, USB to RS232 converter included)	D121767 - RELE' TEMP Temporized relay (1 switch, 16A 0,1s, 24hrs, multitenion)
	FP208003 - QUADRO DETECTOR Loop detector box for counting system (2 channel loop detector included)	P800015 - TOKENS Tokens for ESPAS 10 COIN



INFORMATION REGARDING THE PROTECTION OF THE INDUSTRIAL AND INTELLECTUAL PROPERTY RIGHTS OF BFT. BFT SpA protects its industrial property by depositing trademarks, patents, models and designs. The intellectual property of BFT SpA is protected by copyright law. BFT SpA also protects its know-how by taking measures to protect the technical and commercial information inherent in its company and products. All the products in this catalogue are ORIGINAL BFT MODELS and only BFT SpA is authorised to produce them and market them anywhere in the world. All the commercial names in this catalogue are owned by BFT SpA, and only BFT SpA is authorised to use them in relation to the corresponding merchandise category. FALSIFIERS WILL BE PROCEEDED AGAINST IN ACCORDANCE WITH BOTH CIVIL AND CRIMINAL LAW. THESE CONDITIONS NOT ONLY GUARANTEE THE INTELLECTUAL PROPERTY RIGHTS OF BFT, BUT ALSO PROTECT CUSTOMERS BY GUARANTEEING THAT THE PRODUCTS THEY ARE PURCHASING ARE ORIGINAL BFT PRODUCTS RESULTING FROM STUDIES AND DESIGNS WITHIN THE BFT COMPANY.