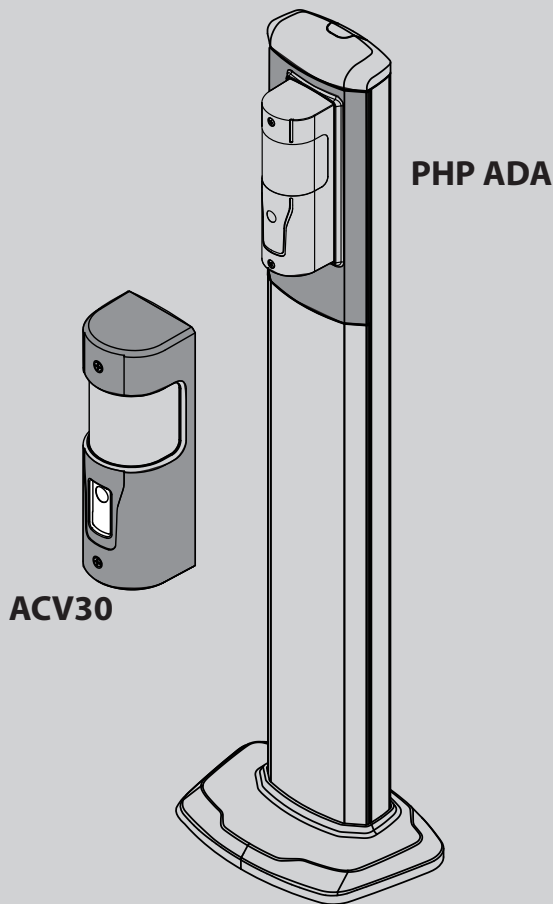




D811993\_02\_07/05/21

PROTEZIONE e COLONNINA  
COVER AND POST  
PROTECTION ET COLONNE  
SCHUTZVORRICHTUNG UND SÄULE  
PROTECCIÓN Y COLUMNA  
BESCHERMING EN KOLOM

PROTECÇÃO E COLUNA  
ΠΡΟΣΤΑΤΕΥΤΙΚΟ ΚΑΙ ΚΟΛΟΝΑΚΙ  
OSŁONA I SŁUPEK  
ЗАЩИТНОЕ УСТРОЙСТВО И КОЛОНКА  
KRYT A SLOUPEK  
MAHFAZA VE UFAK SÜTÜN



PHP ADA - ACV30

ISTRUZIONI DI INSTALLAZIONE  
INSTALLATION MANUAL  
INSTRUCTIONS D'INSTALLATION  
MONTAGEANLEITUNG  
INSTRUCCIONES DE INSTALACION  
INSTALLATIEVOORSCHRIFTEN  
INSTRUÇÕES DE USO E DE INSTALAÇÃO  
ΟΔΗΓΙΕΣ ΧΡΗΣΗΣ ΚΑΙ ΕΓΚΑΤΑΣΤΑΣΗΣ  
INSTRUKCJA UŻYTKOWANIA I INSTALACJI  
РУКОВОДСТВО ПО УСТАНОВКЕ И ЭКСПЛУАТАЦИИ  
INÁVOD K OBSLUZE A INSTALACI  
KULLANIM VE MONTAJ BİLGİLERİ



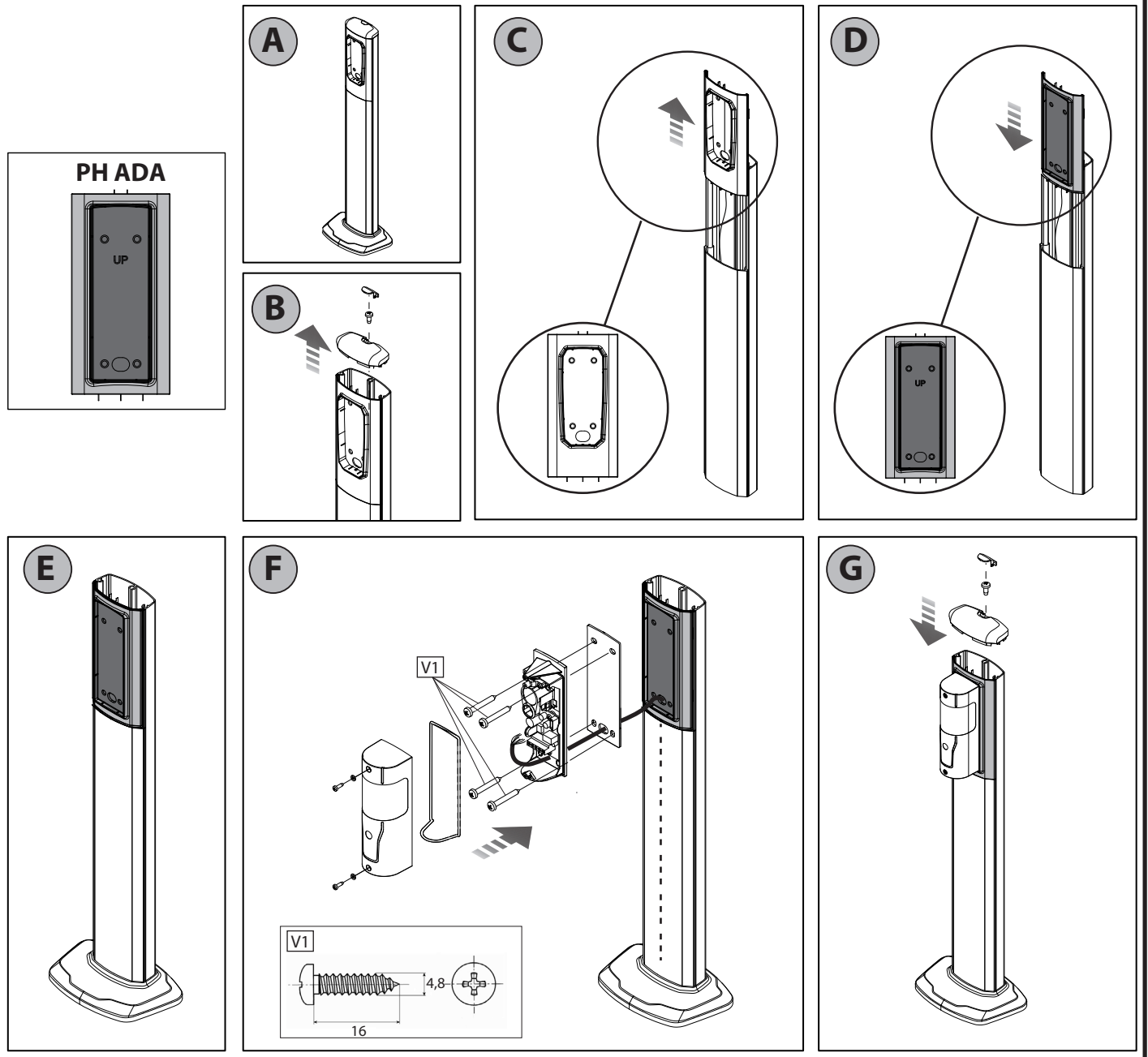
AZIENDA CON  
SISTEMA DI GESTIONE  
CERTIFICATO DA DNV GL  
= ISO 9001 =  
= ISO 14001 =



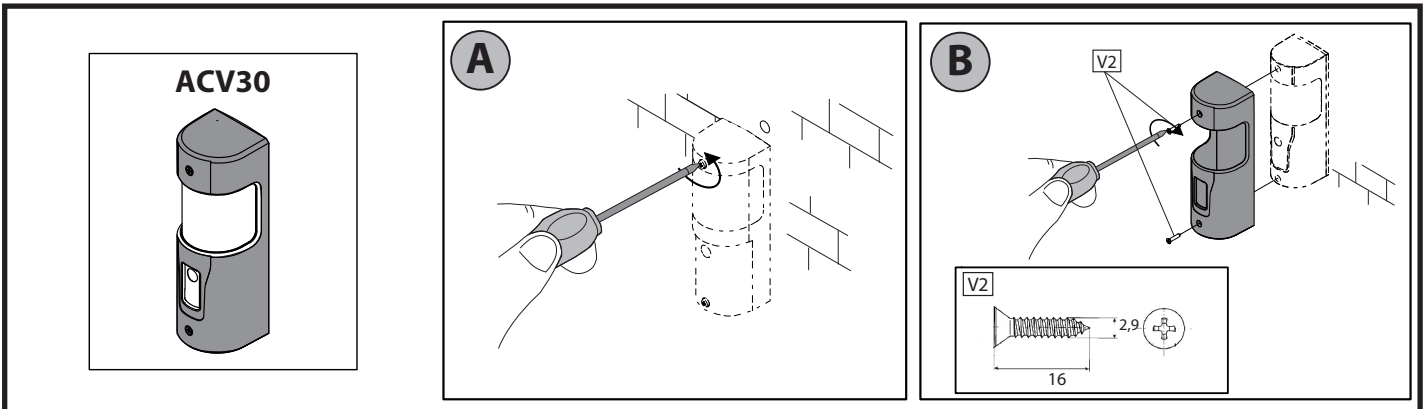
**Attenzione!** Leggere attentamente le "Avvertenze" all'interno! **Caution!** Read "Warnings" inside carefully! **Attention!** Veuillez lire attentivement les Avertissements qui se trouvent à l'intérieur! **Achtung!** Bitte lesen Sie aufmerksam die „Hinweise“ im Inneren! **Atención!** Leer atentamente las "Advertencias" en el interior! **Let op!** Lees de "Waarschuwingen" tigre aan de binnenkant zorgvuldig! **Atenção!** Ler atentamente as "Instruções" que se encontram no interior! **Προσοχή!** Διαβάστε με προσοχή τις "Προειδοποιήσεις" στο εσωτερικό! **Uwaga!** Należy uważnie przeczytać "Ostrzeżenia" w środku! **Внимание!** Внимательно прочтите находящиеся внутри "Инструкции"! **Dikkat!** İçinde bulunan "Uyarılar" dikkatle okuyunuz!

## PH ADA

DB11670\_02



## ACV30



**Bft**

[www.bft-automation.com](http://www.bft-automation.com)

**Bft Spa**  
Via Lago di Vico, 44 ITALY  
36015 Schio (VI)  
T +39 0445 69 65 11  
F +39 0445 69 65 22

**SPAIN**  
BFT GROUP ITALIBERICA DE  
AUTOMATISMOS SL  
Camí de Can Bassa, 6, 08401  
Granollers, Barcelona, Spagna

**FRANCE**  
AUTOMATISMES BFT FRANCE SAS  
50 rue jean zay  
69800 Saint-Priest, Francia

**GERMANY**  
BFT ANTRIEBSSYSTEME GMBH  
Faber-Castell-Straße 29, 90522  
Oberasbach, Germania

**UNITED KINGDOM**  
BFT AUTOMATION UK LTD  
Unit C2-C3 The Embankment Business  
Park, Vale Road Heaton Mersey Stockport  
Cheshire SK4 3GL United Kingdom

**BFT AUTOMATION (SOUTH) LTD**  
Enterprise House Murdock Road, Dorcan,  
Swindon, England, SN3 5HY

**PORTUGAL**  
BFT PORTUGAL SA  
Urb. Pedrulha lote 9 - Apartado 8123,  
3025-248 Coimbra Portugal

**POLAND**  
BFT POLSKA SP ZOO  
Marecka 49, 05-220 Zielonka, Polonia

**IRELAND**  
BFT AUTOMATION IRELAND  
Unit D3 City Link Business Park, Old Naas  
Road, Dublin

**CROATIA**  
BFT ADRIA DOO  
Obrovac 39, 51218, Dražice, Croazia

**CZECH REPUBLIC**  
BFT CZ SRO  
Ustecka 533/9, 184 00 Praha 8,  
Czech

**TURKEY**  
BFT OTOMASYON KAPI  
Şerifali Mahallesi, no, 34775  
Ümraniye/Istanbul, Turchia

**U.S.A.**  
BFT AMERICAS INC.  
1200 S.W. 35th Avenue Suite B Boynton  
Beach FL 33426

**AUSTRALIA**  
BFT AUTOMATION AUSTRALIA PTY  
29 Bentley St, Wetherill Park NSW  
2164, Australia

**EMIRATES**  
BFT MIDDLEEAST FZCO  
FZS2 AA01 - PO BOX 262200, Jebel Ali Free  
Zone South Zone 2 , Dubai - United Arab

**NEW ZEALAND**  
BFT AUTOMATION NEW ZEALAND  
224/A Bush Road, Rosedale,  
Auckland, New Zealand